

### OUTER LEG

Description	Weight (Kg)	Product Code
4670	22.1	290040
3580	17.4	290310
2490	12.7	290020
1400	8	290010

Can be used as an alternative to the standard steel props for a high-level propping or cantilever.



### INNER LEG

Description	Weight (Kg)	Product Code
1680	10.2	290070
1400	8.7	290060
780	5.5	290050

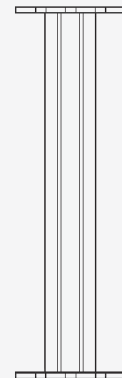
Used with the Outers to allow for a degree of adjustment.



### GASS EXTENSIONS

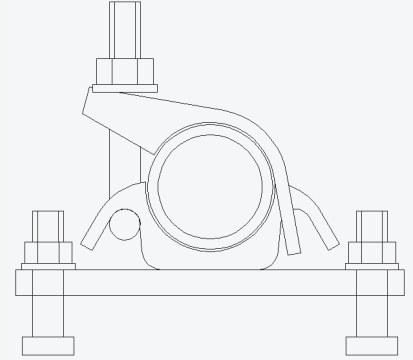
Description	Weight (Kg)	Product Code
500mm	5.8	290262
1400mm	16.89	290263

Where very high shoring is required, the extension leg allows multiple leg build up



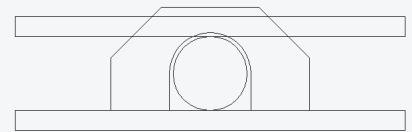
### LEG BRACING COUPLER

Description	Weight (Kg)	Product Code
Bracing Coupler	1.2	290220
Connects into the channel of an outer leg to allow scaffold tube to be used in any direction		



### ROCKING HEADBASE

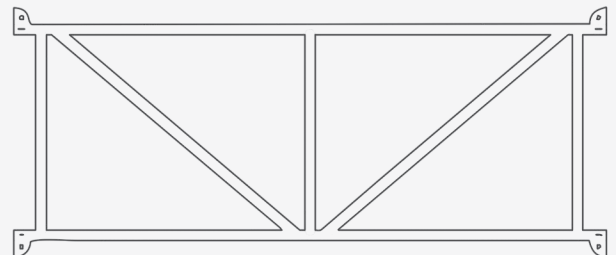
Description	Weight (Kg)	Product Code
head/base	8.2	290220
Universal Swivel	12.2	290221
Can be attached to a beam or outer leg to allow use of a sloping soffit up to 15°		



### LEDGER FRAMES

Description	Weight (Kg)	Product Code
3m	15.8	290130
2.4m	18.4	290120
1.8m	10.3	290110
1.2m	9.4	290198
0.9	8	290196

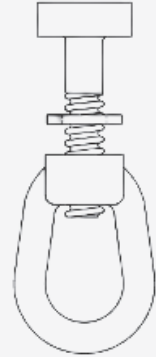
1800mm frames can be used with the GASS Legs to match the standard 900mm **TOPEC** grids.



### RING BOLT

Description	Weight (Kg)	Product Code
Head-to-Head	0.6	290240
Head-to-Beam	0.4	290266

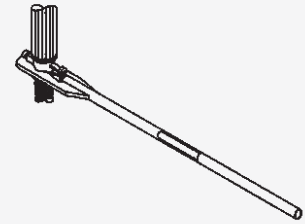
Allows for the connection between the T225 Beam and GASS props



### JACK SPANNER

Description	Weight (Kg)	Product Code
Spanner	6.4	290250

The spanner locks around the collar to strike the GASS legs under the load



### ADVANCE GUARD RAIL

Description	Weight (Kg)	Product Code
Wide	32	290268
Narrow	26	290270

Can be attached to the ledger frames to act as a guiderail when using access platforms

