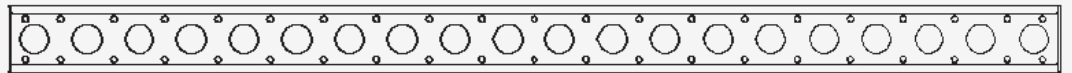
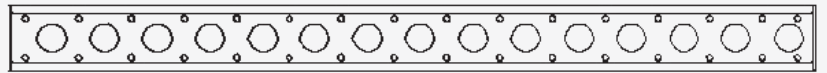
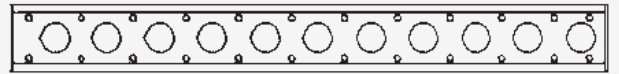
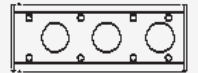


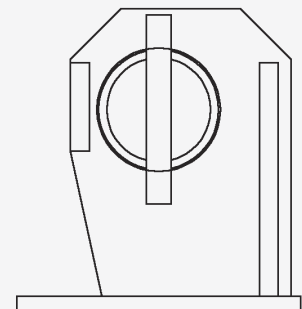
SUPERSLIM SOLDIERS

Length	Weight (Kg)	Product Code
3.6m	72.20	171738
2.7m	55.40	171737
1.8m	38.80	171746
0.9m	22.00	171744
0.72m	18.70	175408
0.54m	15.20	175407
0.36m	12.00	175409
0.18m	8.5	175409
0.09 Packer	7.3	175406



CORNER PIVOT

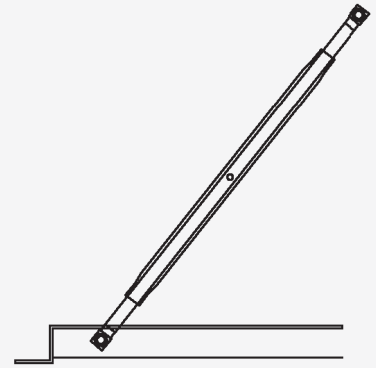
Description	Weight (Kg)	Product Code
Corner Pivot	2.10	175411
Connects soldiers and allows 15 degrees of rotation		



Turnbuckle & Plumbing Foot

Description	Weight (Kg)	Product Code
Turnbuckle	8.25	171705
Plumbing Foot	10.75	171706

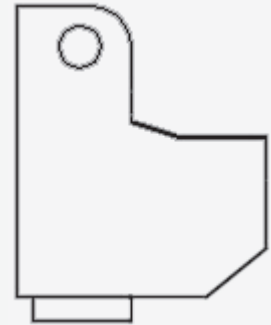
Used to support single sided formwork for bases



LIFTING PLATE

Description	Weight (Kg)	Product Code
Lifting Plate	2.95	171707

Used in pairs to lift formwork



ACCESS BRACKET

Description	Weight (Kg)	Product Code
Access Bracket	6.75	171704

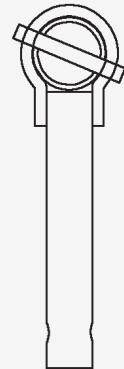
Used with scaffolding boards, tube and fitting to provide a safe working platform



SPADE END LINK

Description	Weight (Kg)	Product Code
Spade End Link	4.2	171720

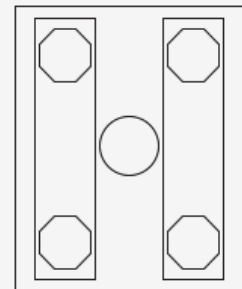
When combined with the prop pivot tube, connects a heavy-duty push/pull prop to the porthole of another soldier



JOINT STIFFENERS

Description	Weight (Kg)	Product Code
Joint Stiffener	5.00	172308

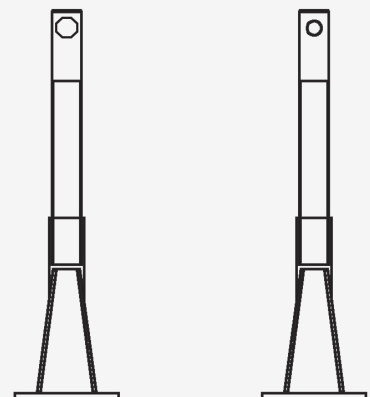
Increases the tension and bending capabilities of a joint between superslim soldiers



PROP JACKS LH/RH

Description	Weight (Kg)	Product Code
Left Hand Jack	12.4	171719
Right Hand Jack	12.4	171718

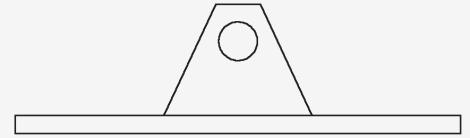
Converts soldiers into heavy duty push/pull props



TILT PLATE

Description	Weight (Kg)	Product Code
Tilt Plate	5.0	171721

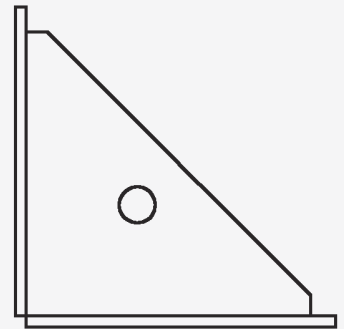
Connects heavy duty push/pull props to a surface



PROP CORNER ANGLE

Description	Weight (Kg)	Product Code
Prop Corner Angle	8.0	175413

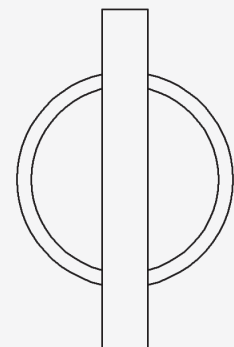
Allows connection of two soldiers at right angles and/or the connection of a heavy-duty push/pull prop



PROP PIVOT TUBE

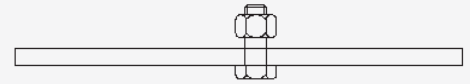
Description	Weight (Kg)	Product Code
Prop Pivot Tube	2.10	171717

When combines with the spade end link, connects a heavy duty push/pull prop to the porthole of another soldier



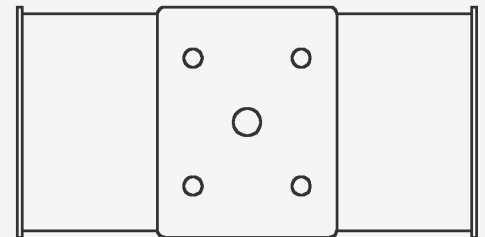
SUPPORT PLATE

Description	Weight (Kg)	Product Code
Support Plate	5.42	171747
Supports plywood and backing members in the formwork application		



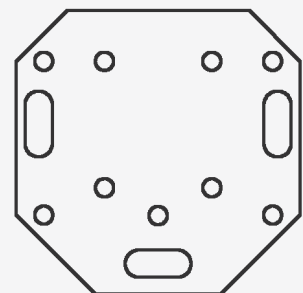
SIX-WAY CONNECTOR

Description	Weight (Kg)	Product Code
Connector	8.0	175413
A node to connect six or eight soldiers at right angles		



ANCHOR PLATE

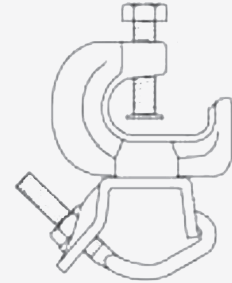
Description	Weight (Kg)	Product Code
Anchor Plate	6.5	171722
Anchor plates secure the end of a soldier to a floor or wall		



SLIMSHOR TUBE CLAMP

Description	Weight (Kg)	Product Code
Girder Coupler	0.75	175405

Connects scaffold lacing tubes to soldiers



UNIVERSAL CLAMP

Description	Weight (Kg)	Product Code
Clamp	0.20	175404

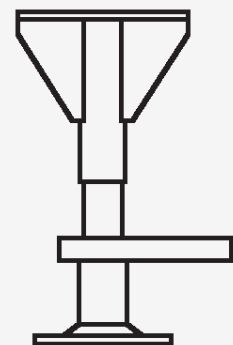
A light duty clamp with many uses such as connecting aluminium beams as walers and Soldiers headbeams and Uheads



ADJUSTABLE BASE

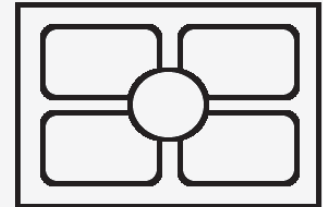
Description	Weight (Kg)	Product Code
Adjustable Base	16.17	175414

Spreads and transfers loads from Superslim Soldier props where length is necessary



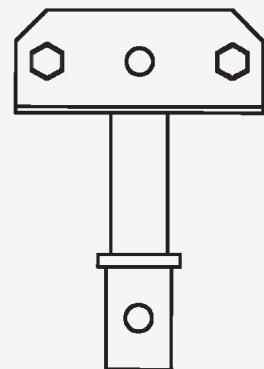
PORTHOLE BEARING

Description	Weight (Kg)	Product Code
Bearing	2.00	175261
Connects a diagonal tie into the porthole of a soldier		



HEAVY DUTY PROP CONNECTOR

Description	Weight (Kg)	Product Code
Prop Connector	12.36	171768
Used to connect push/pull props to soldiers where a load transfer of more than 65kN is required		



PIVOT CLEAT SET

Description	Weight (Kg)	Product Code
Pivot Cleat Set	8.90	172349
Connects soldiers end-to-end and allows 15 degrees of rotation		

