


# BEAMS

A Lightweight, High strength structural support





<u>Introduction</u>	<b>2</b>
<u>Application</u>	<b>3</b>
<u>Components &amp; Accessories</u>	<b>5</b>
<u>Our Services</u>	<b>7</b>
<u>Where to find us</u>	<b>8</b>
<u>Policies</u>	<b>9</b>



The T225 primary beam and the Aluma 165 secondary beam are high strength aluminum beams, offering a robust but lightweight alternative to timber beams

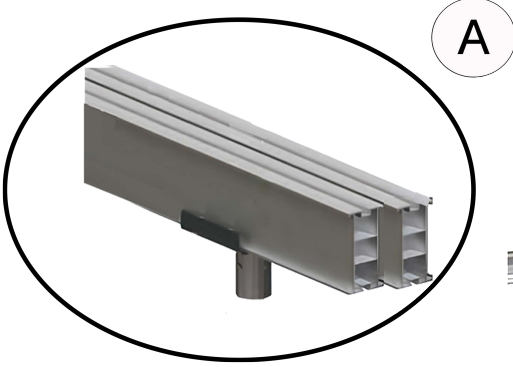
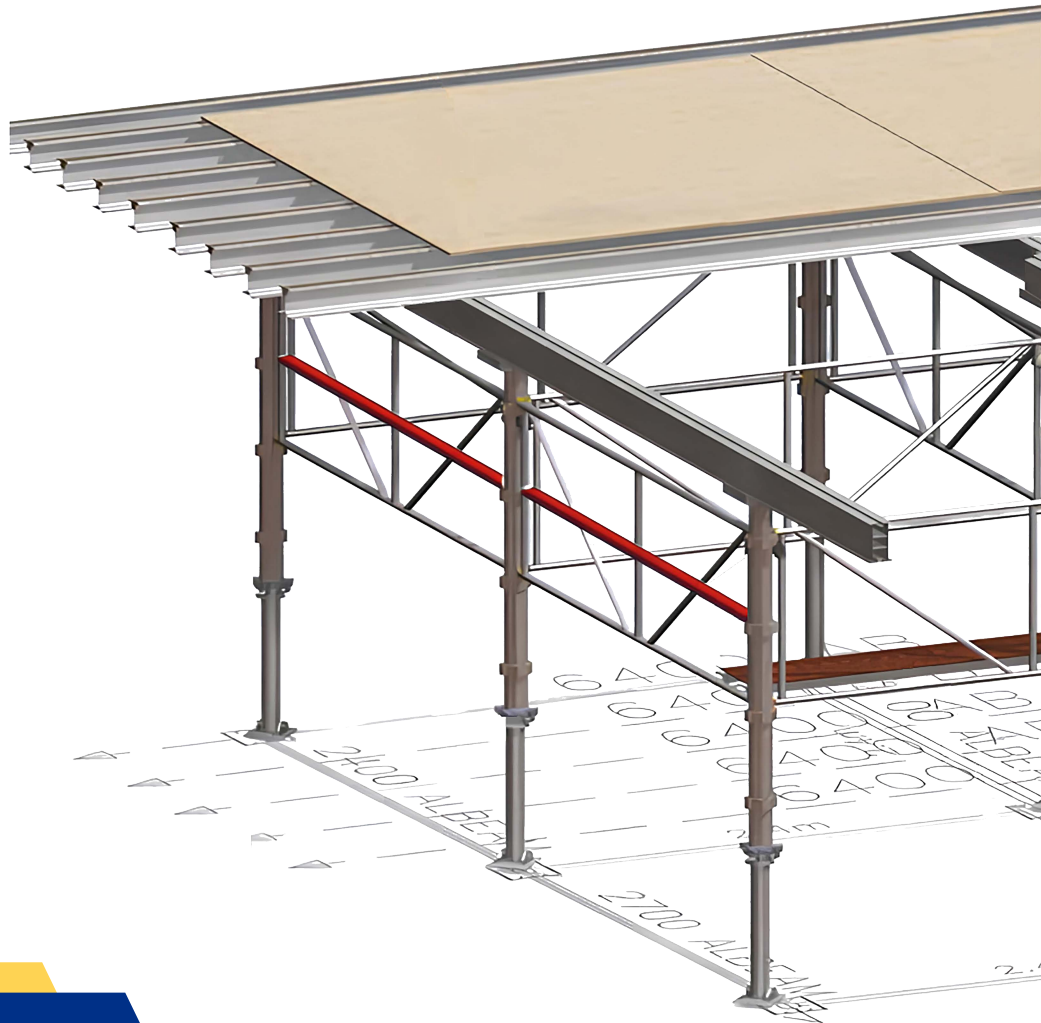
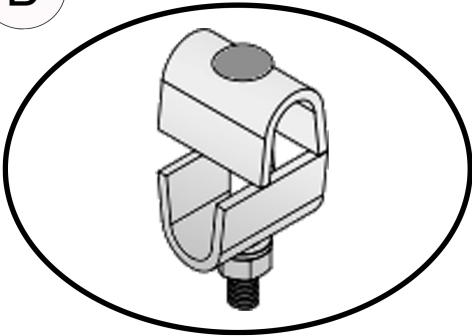
Both the T225 primary beam and the Aluma 165 secondary beam provide excellent support and stability to slab formwork.

These beams can be attached together using either the Universal clamp or the A Clamp

#### Key Features of our Beams

- Robust, high strength
- Lightweight
- Provides a stable base for slab formwork
- Works with our GASS and Alshor Plus systems

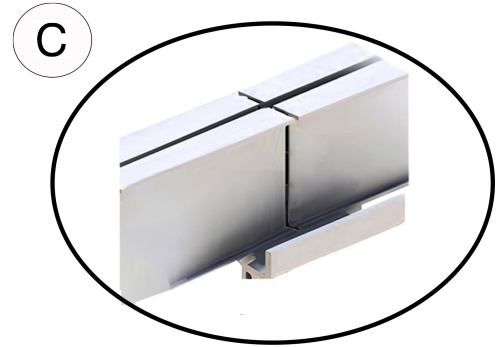
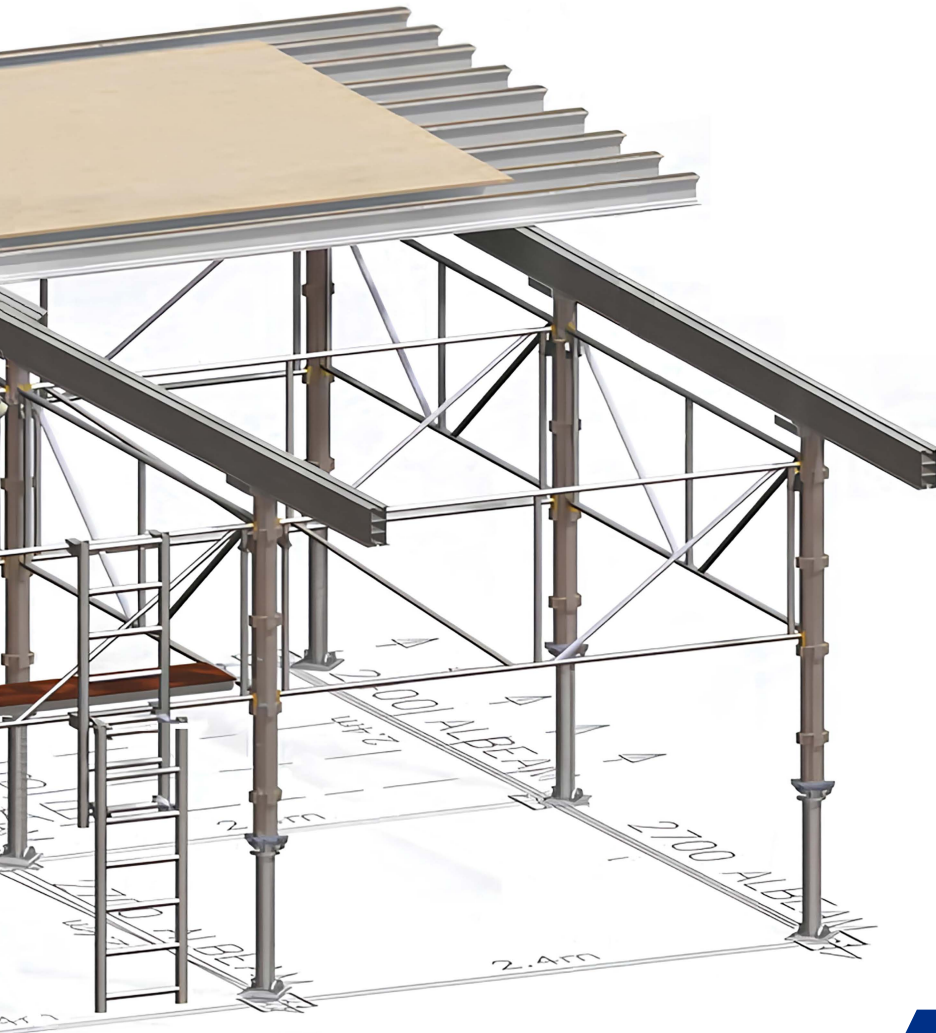
## BEAMS in focus

**A****B****A**

Primary beams are layered onto the falsework system legs, providing support for the secondary beams, which are placed perpendicular to them. Primary beams can be overlaid as shown in the image.

**B**

The Universal Clamps attach the secondary beams to the primary beams, creating a stable and secure connection for pouring concrete.

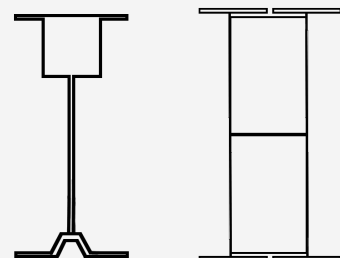


Ⓔ

Secondary beams are laid perpendicular to the primary beams, creating a stable and flat surface for the plywood to be laid and eventually for the concrete to be poured.

PRIMARY AND SECONDARY BEAM

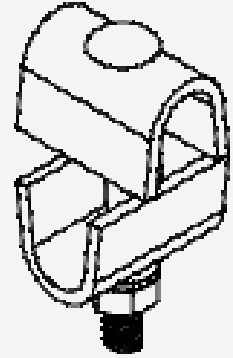
Description	Weight (Kg)	Product Code
5' (1.525m) Secondary Beam	9.20	110222
6' (1.83m) Secondary Beam	11.00	110217
7' (2.13m) Secondary Beam	12.82	110220
8' (2.44m) Secondary Beam	14.70	110218
8' 6" (2.59m) Secondary Beam	15.60	110216
9' (2.75m) Secondary Beam	16.56	110219
10' 6" (3.2m) Secondary Beam	19.20	110213
12' (3.66m) Secondary Beam	22.00	110214
14' (4.27m) Secondary Beam	25.60	110212
16' (4.88m) Secondary Beam	29.30	110211
18' (5.49m) Secondary Beam	33.00	110210
21' (6.4m) Secondary Beam	38.50	110216
1.8m Primary Beam (Pink)	16.11	380002
2.4m Primary Beam (Black)	20.15	380000
2.7m Primary Beam (Green)	22.67	380010
3.0m Primary Beam (Yellow)	25.17	380020
3.6m Primary Beam (Clear)	30.20	380030
4.2m Primary Beam (Brown)	36.00	380036
4.8m Primary Beam (Blue)	40.30	380040
5.4m Primary Beam (Orange)	45.30	380050
6.0m Primary Beam (Red)	50.30	380060
6.4m Primary Beam (Gold)	57.58	380065
7.2m Primary Beam (White)	60.40	680070



### UNIVERSAL CLAMP

Description	Weight (Kg)	Product Code
Multi Slab Clamp	25.00	230036

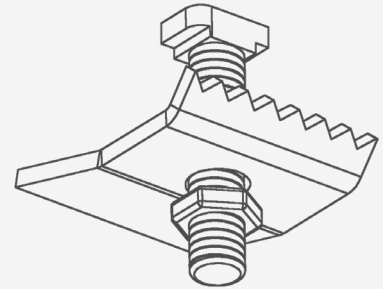
Allows for connection on the edge of the concrete slab



### A CLAMP

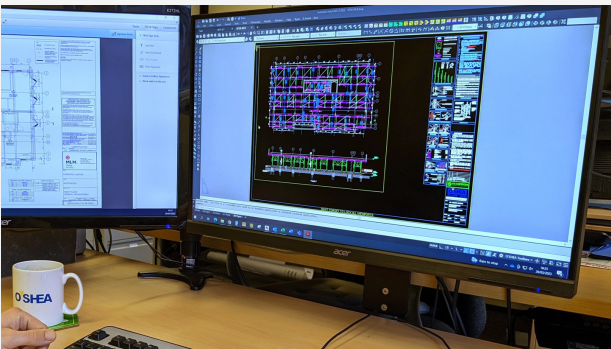
Description	Weight (Kg)	Product Code
Socket Base	1.00	230006

Can be attached to a concrete slab with the use of stud and drop-in anchor (Not Included)



# A service you can rely on

We provide a range of services to meet your **formwork** needs. Whether you need design, hire, sale, or transport, our expert team will provide you with a safe and reliable **formwork** solution for your project.



## DESIGN

Our experienced team of designers can provide you with a tailored solution to your project. Their vast expertise in designing formwork structures and comprehensive knowledge of our formwork products will save you time and money, while also making sure you get the right equipment for your project.



## HIRE

Our large holding means we always have the right product for you, whether it's a residential, commercial or infrastructure. While our FORS Silver compliant fleet of HIAB-equipped vehicles ensures that equipment can be unloaded safely and efficiently, without the need for a crane or extra labour.



## SALES

We also offer a broad package of formwork for sale. No matter your budget or project size, we can provide you with the best, high-quality formwork in the industry. We work closely with our supply chain to ensure you get the right equipment, customised to your preferences and requirements.



## REPAIRS

We provide a thorough refurbishment, repair and cleaning service. Our 1090 EN Certified engineers can work on all formwork and falsework systems, and can extend the lifespan and efficiency of your investment.

Get in touch today to discuss your project.



## Find Us

**O'Shea Plant Hire**  
Station Yard  
Station Road  
Smallford  
**AL4 0HF**



## Contact Us



[sales@osheaplanthire.co.uk](mailto:sales@osheaplanthire.co.uk)



01727 826 748



[www.oshea.co.uk/plant-yard](http://www.oshea.co.uk/plant-yard)



<https://www.linkedin.com/company/o-shea-plant-hire/>

#### **TERMS & CONDITIONS**

Any unauthorised copying, disclosure or distribution of this brochure or any of its contents is strictly prohibited.

The information and details contained in this brochure remains the sole property of C.J. O'Shea (Plant Hire) and/or relevant external sources and is not be altered or reproduced with prior permission.

C.J O'Shea (Plant Hire) Ltd reserve the rights to change any information contained in this brochure without giving prior notice.

#### **DISCLAIMER**

The pictures, diagrams and examples used in the booklet are purely for illustration.

They are demonstration only and not be used for any other purpose.

All information is correct at the time of printing and in accordance with manufacture's technical data.

