

GASS Components

OUTER LEG

| Length (mm) | Weight (kg) | Product Code |
|-------------|-------------|--------------|
| 4670 | 22.1 | 290040 |
| 3580 | 17.4 | 290030 |
| 2490 | 12.7 | 290020 |
| 1400 | 8 | 290010 |

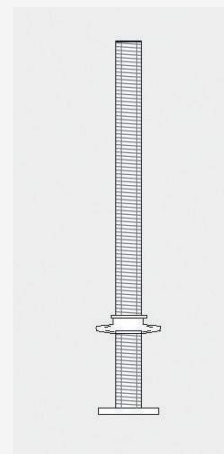
Can be used as an alternative to the standard steel props for a high-level propping or cantilever.



INNER LEG

| Length (mm) | Weight (Kg) | Product Code |
|-------------|-------------|--------------|
| 1680 | 10.2 | 290070 |
| 1450 | 8.7 | 290060 |
| 780 | 5.5 | 290050 |

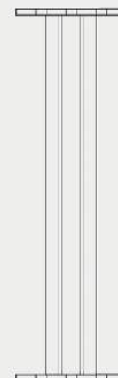
Used with the Outers to allow for a degree of adjustment.



GASS EXTENSIONS

| Length (mm) | Weight (Kg) | Product Code |
|-------------|-------------|--------------|
| 500mm | 5.8 | 290262 |
| 1400mm | 16.89 | 290263 |

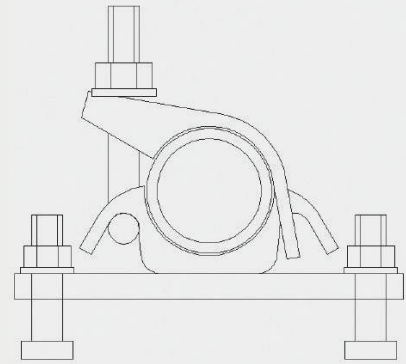
Where very high shoring is required, the extension leg allows multiple leg build up.



LEG BRACING COUPLER

| Description | Weight (Kg) | Product Code |
|-----------------|-------------|--------------|
| Bracing Coupler | 1.2 | 290220 |

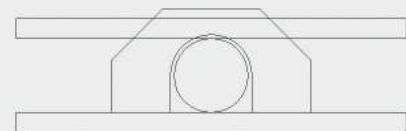
Connects into the channel of an outer leg to allow scaffold tube to be used in any direction.



ROCKING HEADBASE

| Description | Weight (Kg) | Product Code |
|------------------|-------------|--------------|
| Head/Base | 8.2 | 290220 |
| Universal Swivel | 12.2 | 290221 |

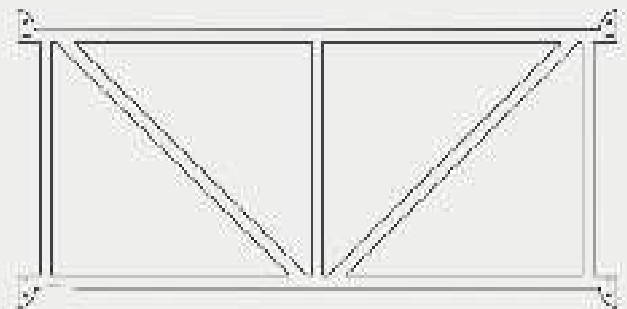
Can be attached to a beam or outer leg to allow use of a sloping soffit up to 15°.



LEDGER FRAMES

| Length (mm) | Weight (Kg) | Product Code |
|-------------|-------------|--------------|
| 3m | 15.8 | 290130 |
| 2.4m | 18.4 | 290120 |
| 1.8m | 10.3 | 290110 |
| 1.2m | 9.4 | 290198 |
| 0.9 | 8 | 290196 |

1800mm frames can be used with the GASS Legs to match the standard 900mm TOPEC grids.



RING BOLT

| Description | Weight (Kg) | Product Code |
|--------------|-------------|--------------|
| Head-to-Head | 0.6 | 290240 |
| Head-to-Beam | 0.4 | 290266 |

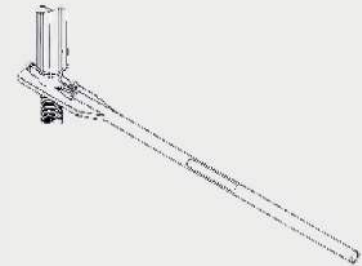
Allows for the connection between the T225 Beam and GASS Props.



JACK SPANNER

| Description | Weight (Kg) | Product Code |
|-------------|-------------|--------------|
| Spanner | 6.4 | 290250 |

The spanner locks around the collar to strike the GASS legs under the load.



ADVANCE GUARD RAIL

| Description | Weight (Kg) | Product Code |
|-------------|-------------|--------------|
| Wide | 32 | 290268 |
| Narrow | 26 | 290270 |

Can be attached to the ledger frames to act as a guiderail when using access platforms.

